

U-bolts  
for aesthetics &  
security, hidden  
behind facing (left)  
1/2" diameter  
nylon rope

NOT SHOWN  
CORRECTLY!  
CROWN SHOULD  
BE FLUSH AGAINST  
BEAM!

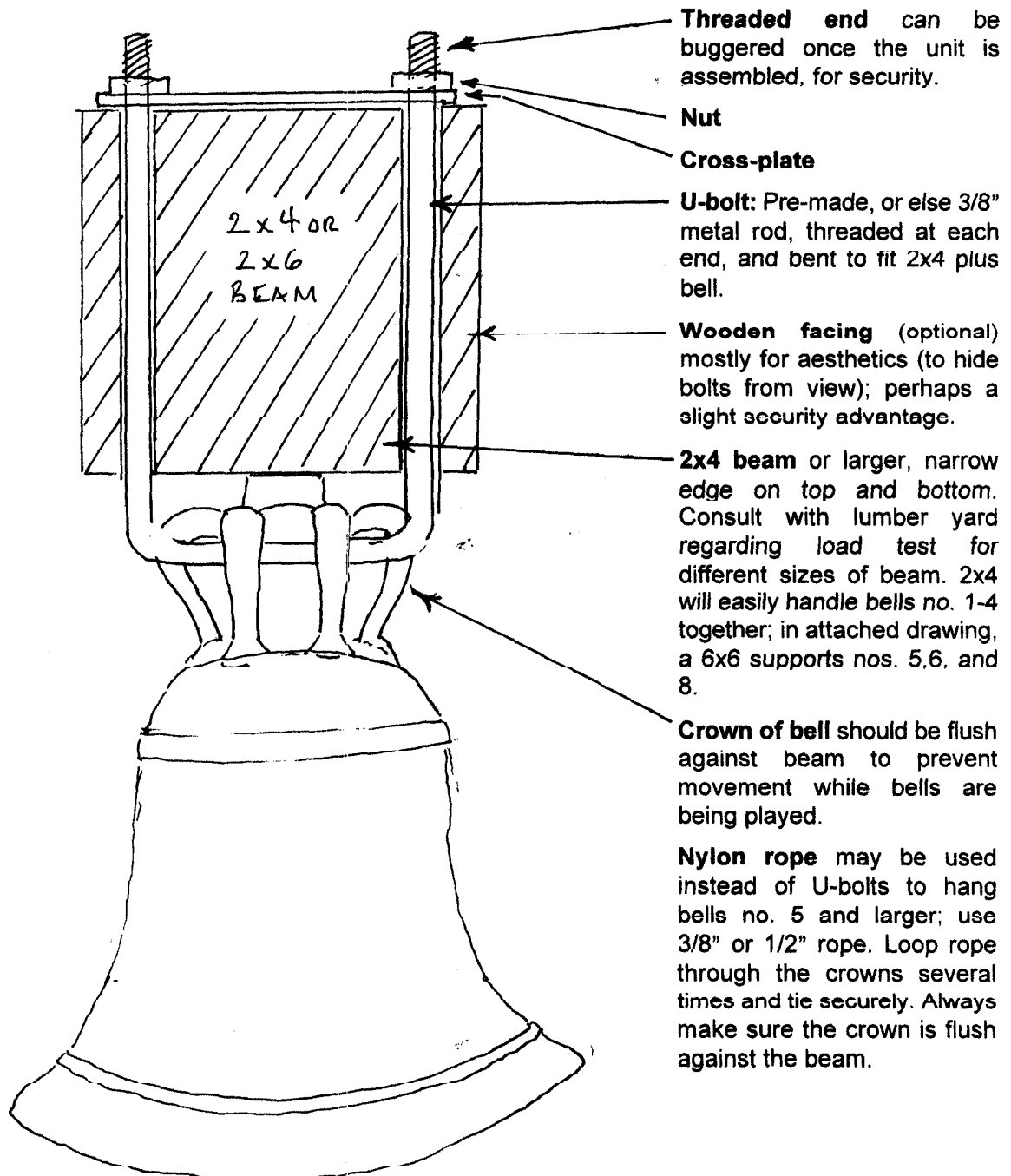
The crown of each bell should be snug  
against the beam from which it hangs.

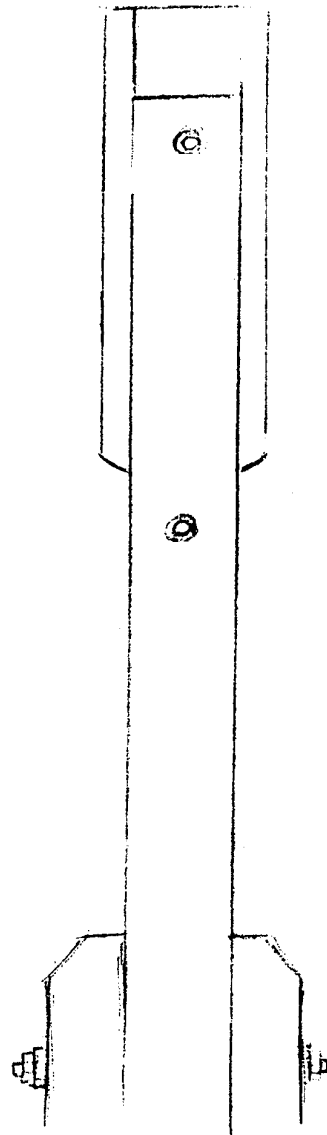
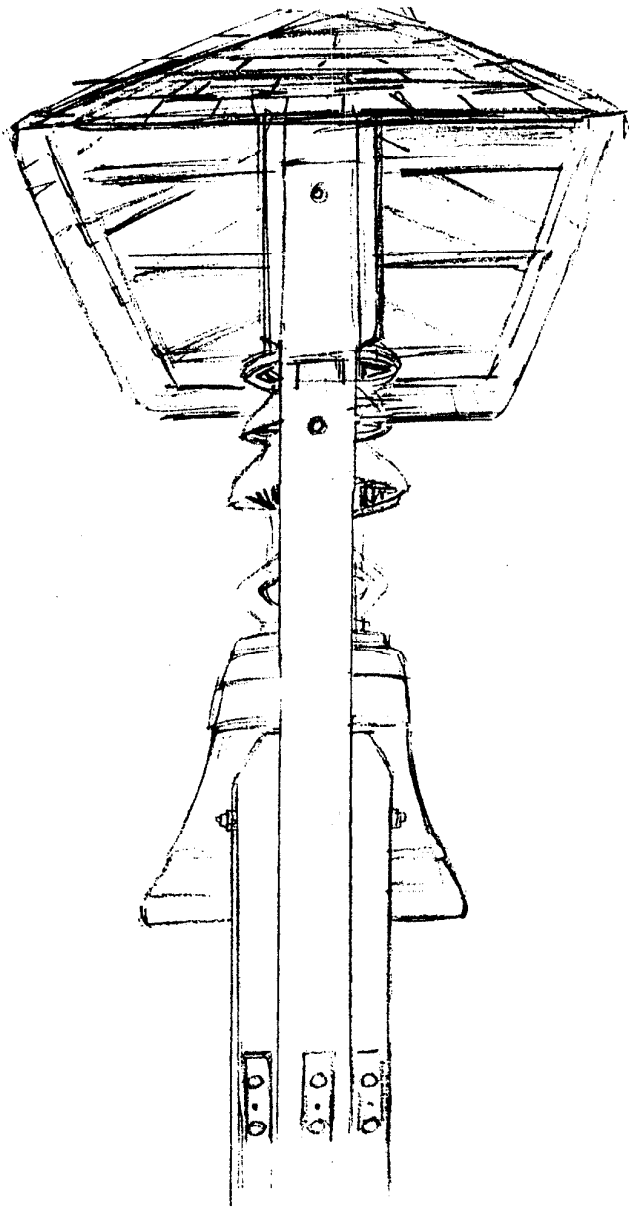
**DRAWING OF  
OUR GROUND-  
LEVEL SETUP  
HERE.**

ALL DIMENSIONS ARE APPROXIMATE.

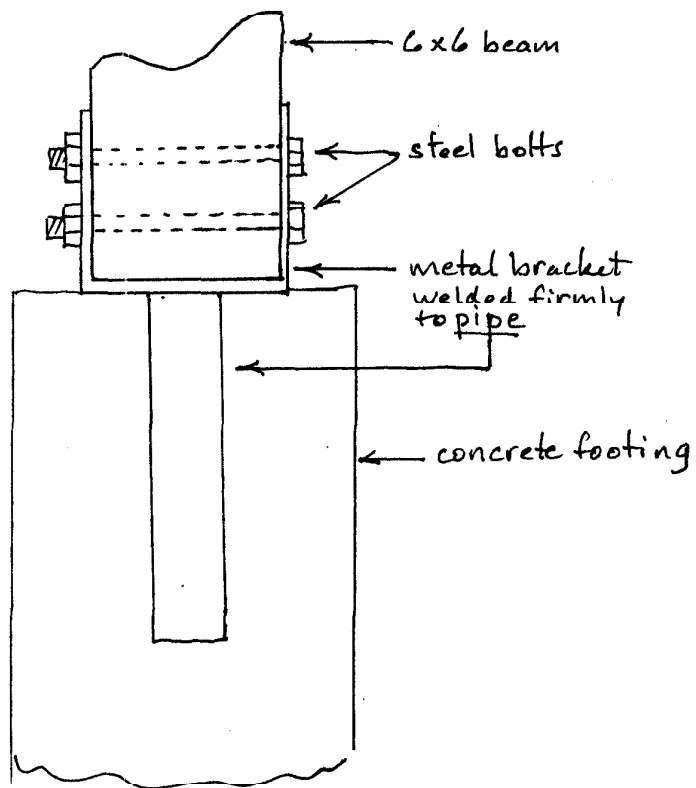
24"  
concrete  
footing

## Bell Mounting Assembly





This is how the footers are made. In our climate, it is desirable not to set a wooden beam directly into the ground because the dampness of the soil will inevitably cause the beam to rot.



3'

Our setup is actually only 1' wide, but I noticed Holy Myrrhbearers made theirs about 3' long, at a right angle to the zvonitsa frame.

Good idea!

